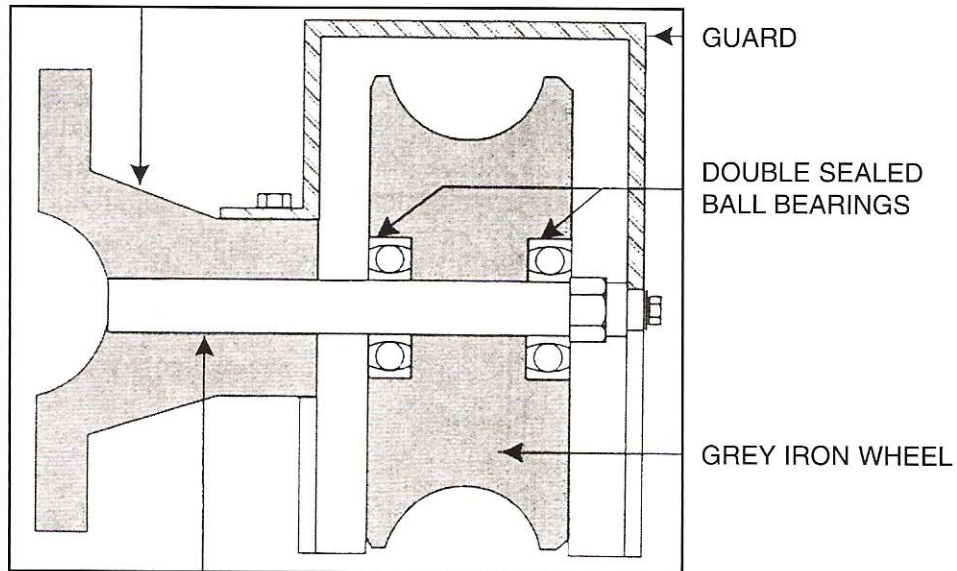


ARU VIL

CANTILEVER ROLLER

DUCTILE IRON BRACKET



PRESSED FIT SHAFT

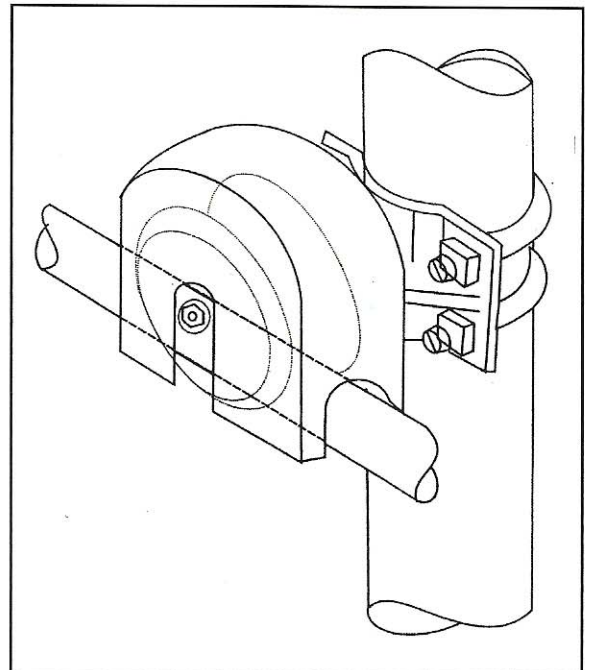
SUPREME WITH GUARD

SAFETY

- Pre-assembled guard
- Guard made from 18 gauge galvanized sheet & painted for long life

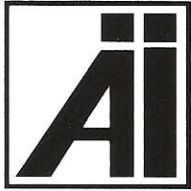
EASE IN OPERATION

- Grey iron wheel for smooth operation
- Double sealed ball bearings
- Maintenance free



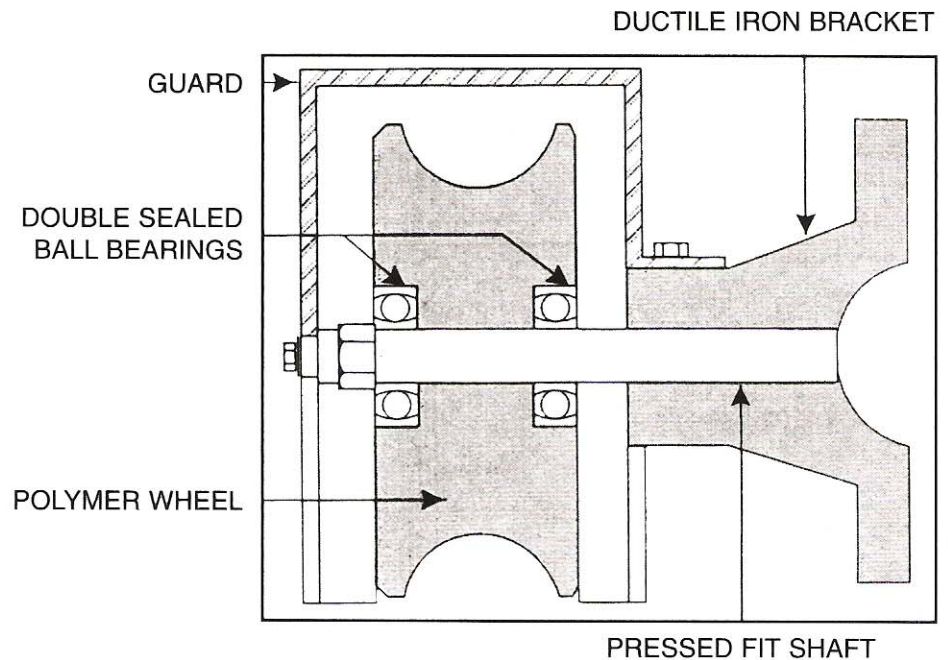
SUPREME

1•800•677•7098

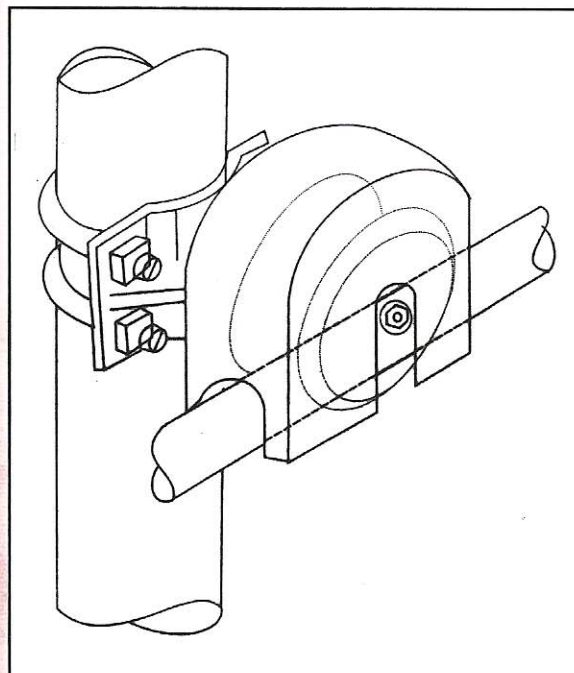


ARUYIL

CANTILEVER ROLLER



REGAL



REGAL WITH GUARD

SAFETY

- Pre-assembled guard
- Guard made from 18 gauge galvanized sheet & painted for long life

EASE IN OPERATION

- Machined heavy duty polymer wheel for smooth operation
- Double sealed ball bearings
- Maintenance free
- Enhances life of electrical gate operators

1-800-677-7098